



Electrolux



Washer extractor

Model: **W555H**

PNC: 9863420005

Voltage: **440 3~60**

The new washer-extractor W555H with Compass Pro program control offer a lot of benefits:

- Large display and one dial for easy program selection
- Language selection
- Quick start and option buttons for frequently used wash programs
- Wash program packages optimized on Economy, Performance and Time
- AWS – Automatic Weighing System with Compass Pro – determines the wash load and adjusts the water intake accordingly, leading to water and energy savings if machine is not fully loaded
- Extremely low water and energy consumption
- Four compartment soap box for manual dosing of powder or liquid detergent
- High extraction force for efficient dewatering
- Door with gasket and strong hinges built for heavy duty operation, provided with ergonomic handle for easy operation and immediate opening and unloading.
- Stainless and galvanized steel in all vital parts for high degree of rust protection.
- SuperBalance™ guarantees the correct extraction force.

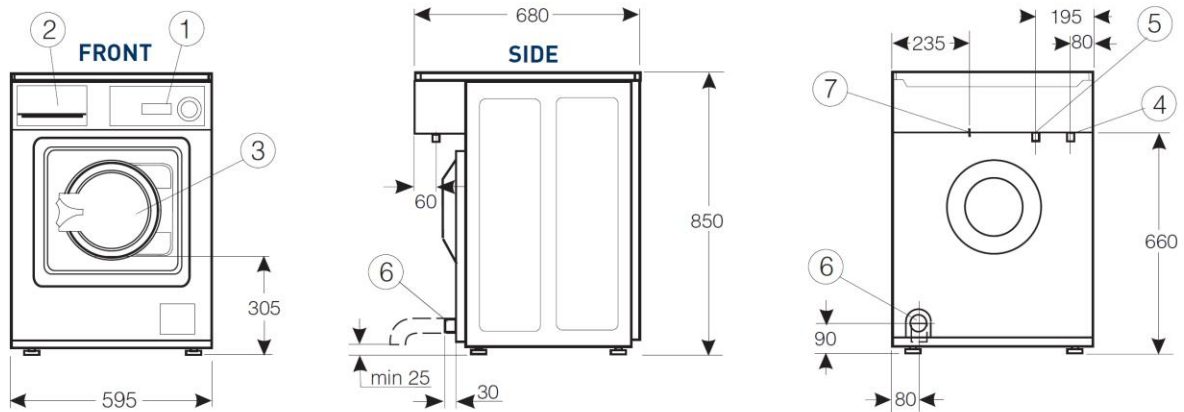
The washer extractor W555H is designed for connection to cold and hot water and equipped with an industrial motor with three speeds for gentle wash, normal wash and extraction.

The drain valve is operated by water pressure. A right-angle drain hose is a part of delivery. The machine must be secured to the floor. For further specifications, please see overleaf.

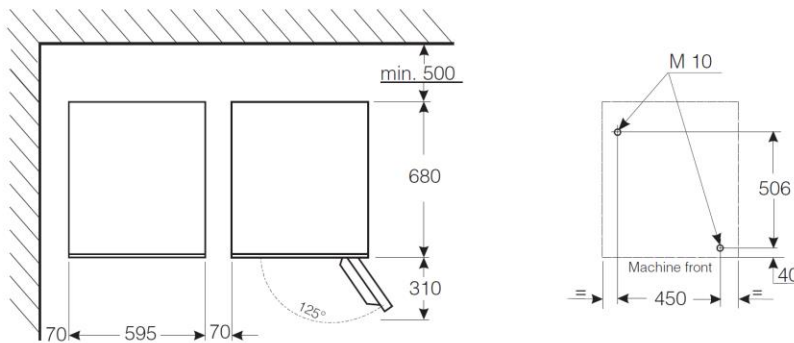
IP CLASS

- IPX4

Washer extractor
Dimensions: mm



1. Control panel
2. Four compartment soap box
3. Door opening $\varnothing 255$ mm
4. Cold water connection G3/4" (dn 20), rec.water pressure 200-500 kPa
5. Hot water connection G3/4" (dn 20), rec.water pressure 200-500 kPa
6. Drain outlet $\varnothing 50$ mm ext., capacity 160 l/min.
7. Electric connection



Marine installation (see below):
NOTE!

The maximum value for rolling is $\pm 15^\circ$
 and for stamping $\pm 8^\circ$.
 The machine should be bolted to the
 foundation acc. to instructions in
 Installation manual, Marine installation.

Model	Capacity kgs	Inner drum volume litres	Inner drum diameter mm	Inner drum depth mm	Voltage V	Total rating kW	Max amp. in phase	Width	Depth	Height	Weight net
W555H	6,0	5,3	452	332	440 3-60	4,5	16	595	680	850	99

Type	Extraction rpm	G- factor	Max floor load at extraction kN	Frequency of the dynamic force Hz	Airborne sound level in dB (A)wash/ extraction
W555H	1300	425	1,2 \pm 0,3	24,2	72

Consumption data for program "Normal" 60° *

Type	Total time min	Water consumption litres cold/hot	Energy consumption kWh motor/ heating
W555H	50	36/9	0,15/0,2

* at water temperature: cold water 15 °C, hot water 65 °C

Optional extra

Model : 9888	Hot/cold water hose (2 pcs.required)
--------------	--------------------------------------



Electrolux